

Micrometer



Applicable models: series 395

Tube Micrometers SERIES 395, 115, 295 — Spherical Anvil and Spindle Type

- Designed to measure workpieces with concave-concave surfaces. The spherical anvil and spindle respectively come into contact with the workpiece at a point, thus increasing measurement accuracy.
- IP65 water/dust protection (series 395).
- Equipped with Ratchet Stop for constant measuring force.



395-271-30

SPECIFICATIONS

Metric					Inch / Metric				
Code No.	Range (mm)	Resolution (mm)	Maximum permissible error J/MPE (μm)	øD (mm)	Code No.	Range (in)	Resolution	Maximum permissible error J/MPE (in)	øD (in)
Digimatic (LCD)					Digimatic (LCD)				
395-271-30	0 - 25	0.001	±2	ø15	395-371-30	0 - 1	0.00005 in / 0.001 mm	±0.0001	ø0.59
395-272-30	25 - 50				395-372-30	1 - 2			
395-273-30	50 - 75				395-373-30	2 - 3			
395-274-30	75 - 100				395-374-30	3 - 4			
			±3	ø20				±0.00015	ø0.79

- Power source: SR44 battery (1 pc.), **938882** included as standard (for operational checks)
 - Battery life: Approx. 2.4 years under normal use
 - Position detection method: Electromagnetic rotary sensor
 - Standard accessories: Setting standard, 1 pc. (except for measuring range 0 to 25 mm (0 to 1 in) models), Spanner (**301336**), 1 pc.
- Note: For functional details, refer to page 02-7.
Optional connection cable is available only for water-proof type (Digimatic model).



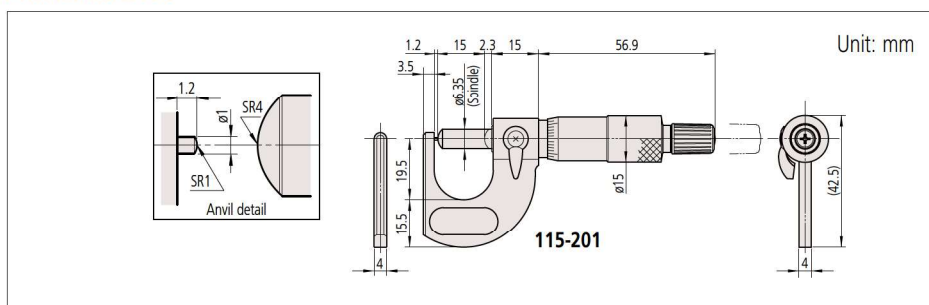
115-215

SPECIFICATIONS

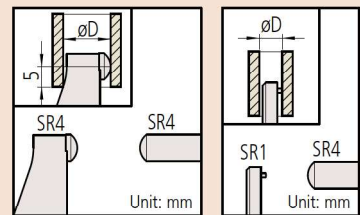
Metric					Inch				
Code No.	Range (mm)	Graduation (mm)	Maximum permissible error J/MPE (μm)	øD (mm)	Code No.	Range (in)	Graduation (in)	Maximum permissible error J/MPE (in)	øD (in)
Analog					Analog				
115-201	0 - 15	0.01	±3	ø5.5	115-253	0 - 1	0.0001	±0.00015	ø0.40
115-215	0 - 25				115-242	1 - 2			
115-216	25 - 50				115-243	2 - 3			
115-217	50 - 75								
115-218	75 - 100								
Mechanical counter model					Mechanical counter model				
295-215	0 - 25	0.01	±3	ø10	295-253	0 - 1	0.0001	±0.00015	ø0.40

- Standard accessories: Setting standard, 1 pc. (except for measuring range 0 to 15 mm/0 to 25 mm (0 to 1 in) models)
- Spanner (**200168**), 1 pc. (for **115-201**), Spanner (**301336**), 1 pc. (for models other than **115-201**)

DIMENSIONS



Measurement example



Other than 115-201 115-201

Optional Accessories

Code No.	Type	Description
264-020	—	USB Input Tool Series USB Keyboard Signal Conversion Type IT-020U
05CZA662	B	Connection cable for series 395 (1 m)
05CZA663	B	Connection cable for series 395 (2 m)
06AFM380B	B	USB Input Tool Direct (2 m)
02AZD730G	IP67	U-WAVE-T
02AZD880G	Buzzer	U-WAVE-T
02AZE200	—	U-WAVE-T mounting bracket
02AZD790B	B	Connection cable for U-WAVE-T (160 mm)
02AZE140B	B	Connection cable for U-WAVE-T For foot switch
264-622	IP67	U-WAVE-TM
264-623	Buzzer	U-WAVE-TM
264-626	IP67	U-WAVE-TMB
264-627	Buzzer	U-WAVE-TMB
02AZF310	IP67	Connecting unit for U-WAVE-TM/TMB